



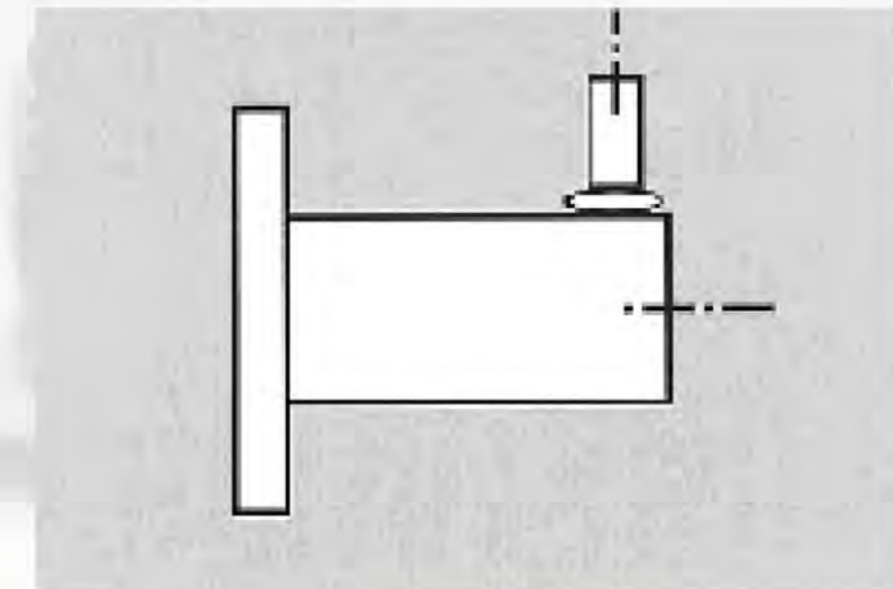
# WAVEGUIDE COAXIAL TRANSITIONS

## WG to COAXIAL TRANSITION (ADAPTORS)

### Precision Rectangular Model

Specification:

V.S.W.R.	See Data Sheet
Material:	Brass (Aluminium with Chromate / Iridite finish available on request)
Finish:	Silver Plate and Blue Paint
Full Band Flatness:	See Table* For Male add M instead of F (Contact Factory for price and lead time)



Operating Frequency Band (GHz)	PART NUMBER	Flange Type	Connector Type	Max V.S.W.R.
2.60 – 3.95	RA 10 PQB 012 B N-F	UDR 32	N(f)	1.1
2.60 – 3.95	RA 10 PQB 031 B N-F	PDR 32	N(f)	1.1
2.60 – 3.95	RA 10 PQB 112 B N-F	CPR 284F	N(f)	1.1
2.60 – 3.95	RA 10 PQB 021 B N-F	CPR 284G	N(f)	1.1
3.30 – 4.90	RA 11A PQB 012 B N-F	UDR 40	N(f)	1.1
3.30 – 4.90	RA 11A PQB 031 B N-F	PDR 40	N(f)	1.1
3.30 – 4.90	RA 11A PQB 122 B N-F	CPR 229F	N(f)	1.1
3.30 – 4.90	RA 11A PQB 021 B N-F	CPR 229G	N(f)	1.1
3.95 – 5.85	RA 12 PQB 012 B N-F	UDR 48	N(f)	1.1
3.95 – 5.85	RA 12 PQB 031 B N-F	PDR 48	N(f)	1.1
3.95 – 5.85	RA 12 PQB 122 B N-F	CPR 187F	N(f)	1.1
3.95 – 5.85	RA 12 PQB 021 B N-F	CPR 187G	N(f)	1.1
4.90 – 7.05	RA 13 PQB 012 B N-F	UDR 58	N(f)	1.1
4.90 – 7.05	RA 13 PQB 031 B N-F	PDR 58	N(f)	1.1
4.90 – 7.05	RA 13 PQB 122 B N-F	CPR 159F	N(f)	1.1
4.90 – 7.05	RA 13 PQB 021 B N-F	CPR 159G	N(f)	1.1
5.85 – 8.20	RA 14 PQB 012 B SMA-F	UDR 70	SMA(f)	1.1
5.85 – 8.20	RA 14 PQB 031 B SMA-F	PDR 70	SMA(f)	1.1
5.85 – 8.20	RA 14 PQB 122 B SMA-F	CPR 137F	SMA(f)	1.1
5.85 – 8.20	RA 14 PQB 021 B SMA-F	CPR 137G	SMA(f)	1.1
7.05 – 10.00	RA 15 PQB 402 B SMA-F	UBR 84	SMA(f)	1.1
7.05 – 10.00	RA 15 PQB 412 B SMA-F	PBR 84	SMA(f)	1.1
7.05 – 10.00	RA 15 PQB 122 B SMA-F	CPR 112F	SMA(f)	1.1
7.05 – 10.00	RA 15 PQB 021 B SMA-F	CPR 112G	SMA(f)	1.1
8.20 – 12.40	RA 16 PQB 402 B SMA-F	UBR 100	SMA(f)	1.1
8.20 – 12.40	RA 16 PQB 412 B SMA-F	PBR 100	SMA(f)	1.1
8.20 – 12.40	RA 16 PQB 122 B SMA-F	CPR 90F	SMA(f)	1.1
8.20 – 12.40	RA 16 PQB 021 B SMA-F	CPR 90G	SMA(f)	1.1
8.20 – 12.40	RA 16 PQB 442 B SMA-F	UG 39/U	SMA(f)	1.1
10.00 – 15.00	RA 17 PQB 402 B SMA-F	UBR 120	SMA(f)	1.1
10.00 – 15.00	RA 17 PQB 412 B SMA-F	PBR 120	SMA(f)	1.1
10.00 – 15.00	RA 17 PQB 442 B SMA-F	M3922/53-007	SMA(f)	1.1
12.40 – 18.00	RA 18 PQB 402 B SMA-F	UBR 140	SMA(f)	1.1
12.40 – 18.00	RA 18 PQB 412 B SMA-F	PBR 140	SMA(f)	1.1
12.40 – 18.00	RA 18 PQB 442 B SMA-F	UG 419/U	SMA(f)	1.1
15.22 – 22.00	RA 19 PQB 402 B K-F	UBR 180	K Type (f)	1.15
15.22 – 22.00	RA 19 PQB 412 B K-F	PBR 180	K Type (f)	1.15
18.00 – 26.50	RA 20 PQB 402 B K-F	UBR 220	K Type (f)	1.15
18.00 – 26.50	RA 20 PQB 412 B K-F	PBR 220	K Type (f)	1.15
18.00 – 26.50	RA 20 PQB 442 B K-F	UG 595/U	K Type (f)	1.15
22.00 – 33.00	RA 21 PQB 402 B K-F	UBR 260	K Type (f)	1.2
22.00 – 33.00	RA 21 PQB 412 B K-F	PBR 260	K Type (f)	1.2
22.00 – 33.00	RA 21 PQB 442 B K-F	UG 1530/U	K Type (f)	1.2
26.50 – 40.00	RA 22 PQB 402 B K-F	UBR 320	K Type (f)	1.2
26.50 – 40.00	RA 22 PQB 412 B K-F	PBR 320	K Type (f)	1.2
26.50 – 40.00	RA 22 PQB 442 B K-F	UG 599/U	K Type (f)	1.2

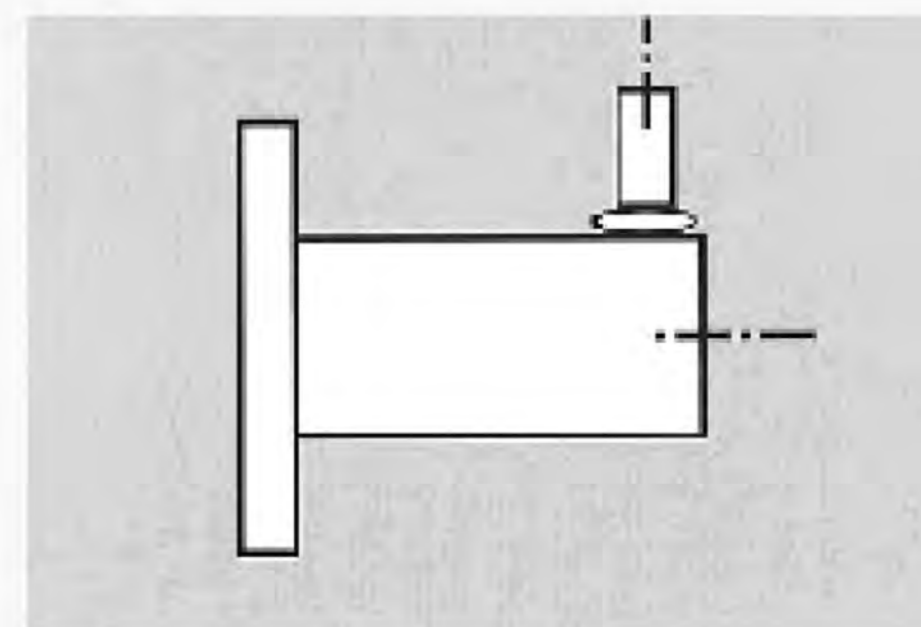


## WG to COAXIAL TRANSITION (ADAPTORS)

### Standard Rectangular (Economy) Model

**Specification:**

V.S.W.R.	See Data Sheet
Material:	Aluminium (Brass with natural finish available on request)
Finish:	Chromate (Alocrom) to Mil-C-5541 (Unpainted as standard)
Connector:	See Table* For Male add M instead of F (Contact Factory for price and lead time)



Operating Frequency Band (GHz)	PART NUMBER	Flange Type	Connector Type	Max V.S.W.R.
3.30 – 4.90	RA 11A MZH 014 A N-F	UDR 40	N(f)	1.15
3.30 – 4.90	RA 11A MZH 033 A N-F	PDR 40	N(f)	1.15
3.30 – 4.90	RA 11A MZH 124 A N-F	CPR 229F	N(f)	1.15
3.30 – 4.90	RA 11A MZH 023 A N-F	CPR 229G	N(f)	1.15
3.95 – 5.85	RA 12 MZH 014 A N-F	UDR 48	N(f)	1.15
3.95 – 5.85	RA 12 MZH 033 A N-F	PDR 48	N(f)	1.15
3.95 – 5.85	RA 12 MZH 124 A N-F	CPR 187F	N(f)	1.15
3.95 – 5.85	RA 12 MZH 023 A N-F	CPR 187G	N(f)	1.15
4.90 – 7.05	RA 13 MZH 014 A N-F	UDR 58	N(f)	1.15
4.90 – 7.05	RA 13 MZH 033 A N-F	PDR 58	N(f)	1.15
4.90 – 7.05	RA 13 MZH 124 A N-F	CPR 159F	N(f)	1.15
4.90 – 7.05	RA 13 MZH 023 A N-F	CPR 159G	N(f)	1.15
5.85 – 8.20	RA 14 MZH 014 A SMA-F	UDR 70	SMA(f)	1.15
5.85 – 8.20	RA 14 MZH 033 A SMA-F	PDR 70	SMA(f)	1.15
5.85 – 8.20	RA 14 MZH 124 A SMA-F	CPR 137F	SMA(f)	1.15
5.85 – 8.20	RA 14 MZH 023 A SMA-F	CPR 137G	SMA(f)	1.15
7.05 – 10.00	RA 15 MZH 404 A SMA-F	UBR 84	SMA(f)	1.15
7.05 – 10.00	RA 15 MZH 414 A SMA-F	PBR 84	SMA(f)	1.15
7.05 – 10.00	RA 15 MZH 124 A SMA-F	CPR 112F	SMA(f)	1.15
7.05 – 10.00	RA 15 MZH 023 A SMA-F	CPR 112G	SMA(f)	1.15
8.20 – 12.40	RA 16 MZH 404 A SMA-F	UBR 100	SMA(f)	1.15
8.20 – 12.40	RA 16 MZH 414 A SMA-F	PBR 100	SMA(f)	1.15
8.20 – 12.40	RA 16 MZH 124 A SMA-F	CPR 90F	SMA(f)	1.15
8.20 – 12.40	RA 16 MZH 023 A SMA-F	CPR 90G	SMA(f)	1.15
8.20 – 12.40	RA 16 MZH 444 A SMA-F	UG 135/U	SMA(f)	1.15
10.00 – 15.00	RA 17 MZH 404 A SMA-F	UBR 120	SMA(f)	1.15
10.00 – 15.00	RA 17 MZH 414 A SMA-F	PBR 120	SMA(f)	1.15
10.00 – 15.00	RA 17 MZH 444 A SMA-F	M3922/53-008	SMA(f)	1.15
12.40 – 18.00	RA 18 MZH 404 A SMA-F	UBR 140	SMA(f)	1.15
12.40 – 18.00	RA 18 MZH 414 A SMA-F	PBR 140	SMA(f)	1.15
12.40 – 18.00	RA 18 MZH 444 A SMA-F	UG 1665/U	SMA(f)	1.15
15.22 – 22.00	RA 19 MZH 404 A K-F	UBR 180	K Type (f)	1.25
15.22 – 22.00	RA 19 MZH 414 A K-F	PBR 180	K Type (f)	1.25
18.00 – 26.50	RA 20 MZH 404 A K-F	UBR 220	K Type (f)	1.25
18.00 – 26.50	RA 20 MZH 414 A K-F	PBR 220	K Type (f)	1.25
18.00 – 26.50	RA 20 MZH 444 A K-F	UG 597/U	K Type (f)	1.25
22.00 – 33.00	RA 21 MZH 404 A K-F	UBR 260	K Type (f)	1.25
22.00 – 33.00	RA 21 MZH 414 A K-F	PBR 260	K Type (f)	1.25
22.00 – 33.00	RA 21 MZH 444 A K-F	UG 1530/U**	K Type (f)	1.25
26.50 – 40.00	RA 22 MZH 404 A K-F	UBR 320	K Type (f)	1.25
26.50 – 40.00	RA 22 MZH 414 A K-F	PBR 320	K Type (f)	1.25
26.50 – 40.00	RA 22 MZH 444 A K-F	UG 599/U**	K Type (f)	1.25

\*\* Aluminium version of flange stated.

\* For connector sex please add the correct letter (M = Male, F = Female)

Contact factory for specification details of male connector.

Alternative connectors and/or flanges available on request from factory.

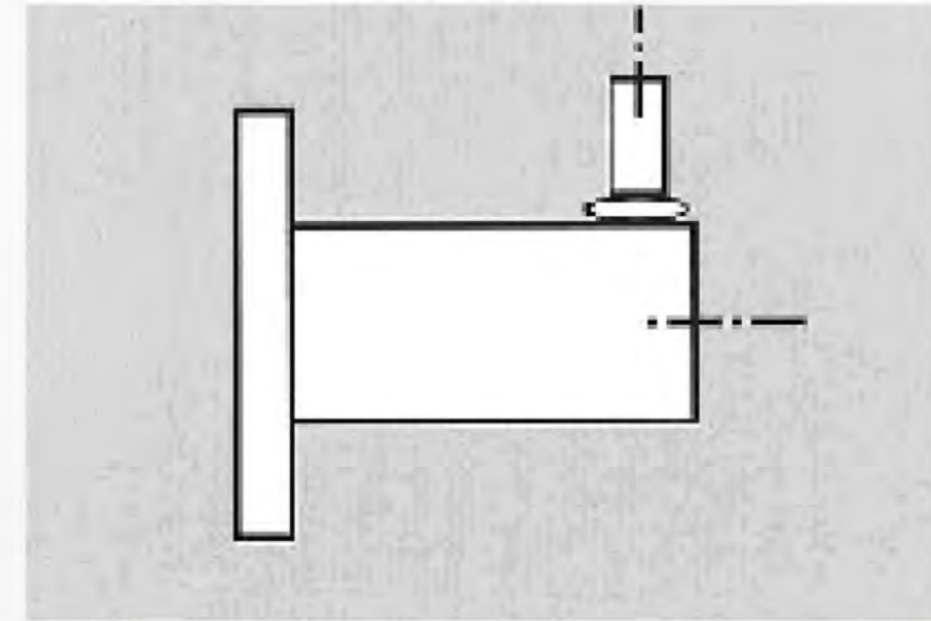


## WG to COAXIAL TRANSITION (ADAPTORS)

### Standard Double Ridge

Specification:

V.S.W.R.	See Data Sheet
Material:	Aluminium (Brass available on request)
Finish:	Chromate (Alocrom) to Mil-C-5541 and Blue Paint
Connector:	See Table* For Male add M instead of F (Contact Factory for price and lead time)



Operating Frequency Band (GHz)	PART NUMBER	Flange Type	Connector Type	Max V.S.W.R.
5.80 – 16.00	RA 580 PQH D01 A SMA-F	Plain Alt Holes	SMA(f)	1.3
5.80 – 16.00	RA 580 PQH D03 A SMA-F	Plain Threaded Holes	SMA(f)	1.3
5.80 – 16.00	RA 580 PQH D05 A SMA-F	Plain Clear Holes	SMA(f)	1.3
5.80 – 16.00	RA 580 PQH D07 A SMA-F	Seal Alt Holes	SMA(f)	1.3
5.80 – 16.00	RA 580 PQH D09 A SMA-F	Seal Threaded Holes	SMA(f)	1.3
5.80 – 16.00	RA 580 PQH D11 A SMA-F	Seal Clear Holes	SMA(f)	1.3
6.50 – 18.00	RA 650 PQH D01 A SMA-F	Plain Alt Holes	SMA(f)	1.3
6.50 – 18.00	RA 650 PQH D03 A SMA-F	Plain Threaded Holes	SMA(f)	1.3
6.50 – 18.00	RA 650 PQH D05 A SMA-F	Plain Clear Holes	SMA(f)	1.3
6.50 – 18.00	RA 650 PQH D07 A SMA-F	Seal Alt Holes	SMA(f)	1.3
6.50 – 18.00	RA 650 PQH D09 A SMA-F	Seal Threaded Holes	SMA(f)	1.3
6.50 – 18.00	RA 650 PQH D11 A SMA-F	Seal Clear Holes	SMA(f)	1.3
7.50 – 18.00	RA 750 PQH D01 A SMA-F	Mil/39000 3B-072	SMA(f)	1.3
7.50 – 18.00	RA 750 PQH D03 A SMA-F	Mil/39000 3B-074	SMA(f)	1.3
7.50 – 18.00	RA 750 PQH D05 A SMA-F	Mil/39000 3B-076	SMA(f)	1.3
7.50 – 18.00	RA 750 PQH D07 A SMA-F	Mil/39000 3B-078	SMA(f)	1.3
7.50 – 18.00	RA 750 PQH D09 A SMA-F	Mil/39000 3B-080	SMA(f)	1.3
7.50 – 18.00	RA 750 PQH D11 A SMA-F	Mil/39000 3B-082	SMA(f)	1.3
18.00 – 40.00	RA 180 PQH D01 A K-F	Mil/39000 3B-084	K Type (f)	1.35
18.00 – 40.00	RA 180 PQH D03 A K-F	Mil/39000 3B-086	K Type (f)	1.35
18.00 – 40.00	RA 180 PQH D05 A K-F	Mil/39000 3B-088	K Type (f)	1.35





## Ordering Information

RA16 — P — Q — B — 402 — B — SMA — F

**CONNECTOR SEX**  
**F** = FEMALE (STANDARD)  
**M** = MALE  
**N** = NEITHER (APC 7 ONLY)

**CONNECTOR TYPE**  
**SMA** = SMA CONNECTOR (MAX FREQUENCY 26.5 GHz)  
**N** = TYPE N (MAX FREQUENCY 18.0 GHz)  
**TNC** = TNC CONNECTOR (MAX FREQUENCY 18.0 GHz)  
**K** = CONNECTOR (18.0-40.0 GHz)  
**7** = APC 7 CONNECTOR

**MATERIAL**  
**A** = ALUMINIUM (STANDARD FOR ECONOMY MODEL)  
**B** = BRASS (STANDARD FOR PRECISION MODEL)

**FLANGE TYPE**  
 SELECT THE REQUIRED FLANGE BY SELECTING THE LAST 3 DIGITS OF THE FLANGE PART No.  
 E.g. 402 = UBR FLANGE

**FINISH**  
**Z** = UNPLATED (OPTIONAL, NON-STANDARD)  
**H** = CHROMATE  
**F** = IRIDITE  
**A** = TIN (OPTIONAL, NON-STANDARD BRASS ONLY)  
**B** = SILVER (STANDARD)

**PAINT**  
**Q** = BLUE (STANDARD)  
**B** = BLACK (OPTIONAL NON-STANDARD)  
**G** = GREY (OPTIONAL, NON-STANDARD)  
**Z** = UNPAINTED

**TYPE**  
**M** = ECONOMY  
**P** = PRECISION

**WAVEGUIDE SIZE**  
 USE THE BRITISH WG SIZE FOR RECTANGULAR WAVEGUIDE  
 OR THE MIL SPEC. WRD SIZE FOR DOUBLE RIDGE WAVEGUIDE  
 E.g. 16 = WAVEGUIDE SIZE WG16

**PRODUCT CODE**  
**RA** = WG/COAX TRANSITION (ADAPTOR)

**Notes:**  
 1) The flange material should match the material of the device to remain standard.  
 2) Other connectors available upon request.

