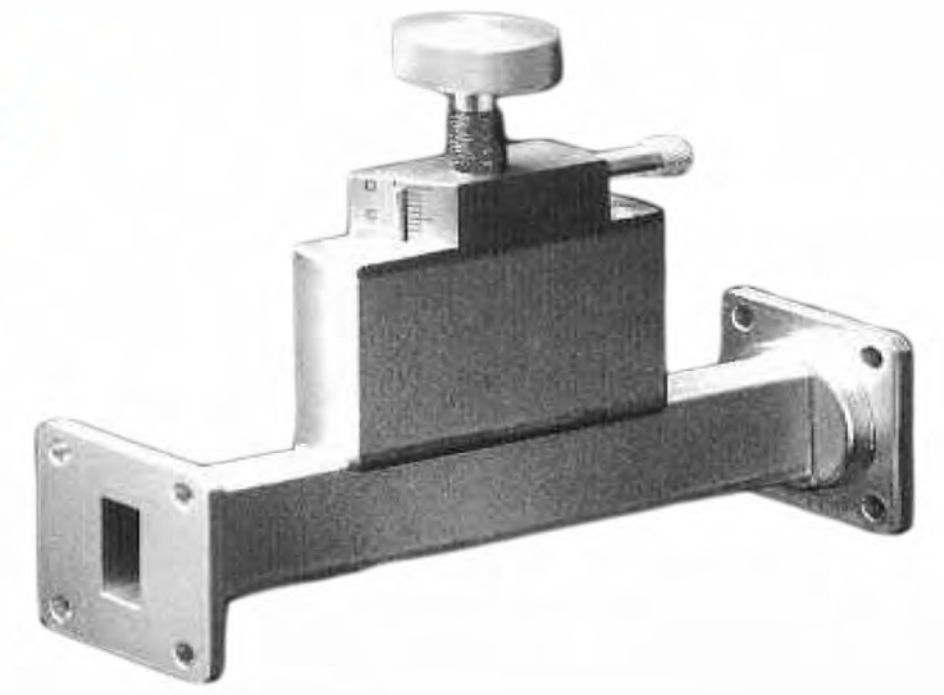




AFRO - BOHEMIA[®]
www.afrobohemia.cz



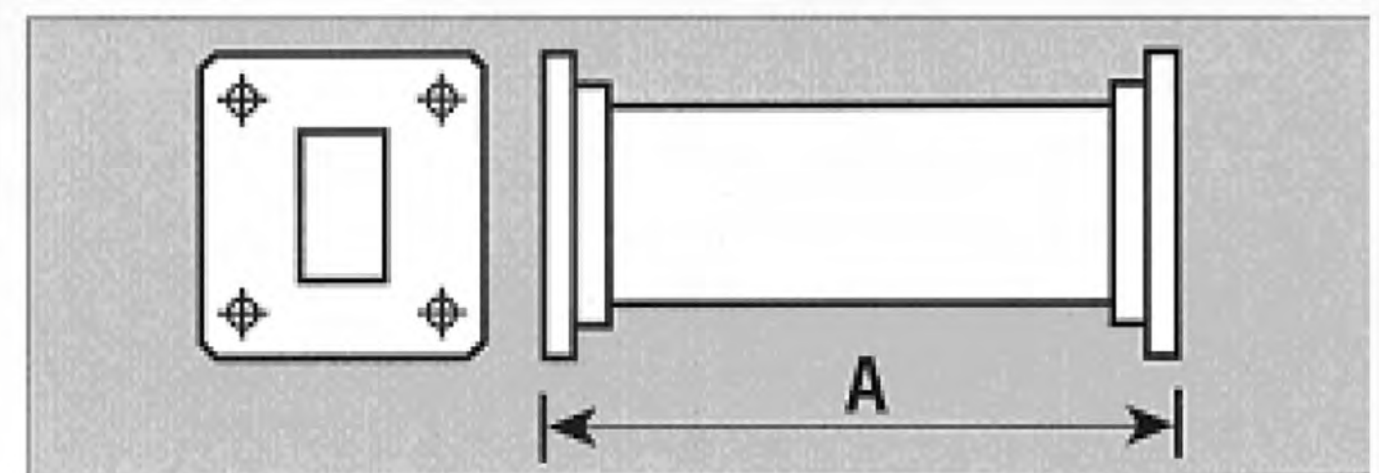
WAVEGUIDE ATTENUATORS

FIXED ATTENUATOR (Range 0-40 dB)

Standard Rectangular

Specification:

Material:	Brass
Finish:	Blue Paint, Silver Plated Flanges
Full Band Flatness:	Nominal 10% of attenuator value*



Operating Frequency Band (GHz)	Waveguide Designation			PART NUMBER	Max V.S.W.R.	Max Power Watts C.W.	Overall Length "A" (mm)
	UK WG	IEC R	E.I.A. WR				
2.60 – 3.95	10	32	284	FA 10 –SQB- (**-**-**-)-B-(**)	1.10	4	330
3.30 – 4.90	11A	40	229	FA 11A –SQB- (**-**-**-)-B-(**)	1.10	4	406
3.95 – 5.85	12	48	187	FA 12 –SQB- (**-**-**-)-B-(**)	1.12	4	305
4.90 – 7.05	13	58	159	FA 13 –SQB- (**-**-**-)-B-(**)	1.12	3	280
5.85 – 8.20	14	70	137	FA 14 –SQB- (**-**-**-)-B-(**)	1.12	2	241
7.05 – 10.0	15	84	112	FA 15 –SQB- (**-**-**-)-B-(**)	1.13	1	203
8.20 – 12.40	16	100	90	FA 16 –SQB- (**-**-**-)-B-(**)	1.13	1	152
10.0 – 15.0	17	120	75	FA 17 –SQB- (**-**-**-)-B-(**)	1.14	1	152
12.4 – 18.0	18	140	62	FA 18 –SQB- (**-**-**-)-B-(**)	1.14	0.7	127
15.0 – 22.0	19	180	51	FA 19 –SQB- (**-**-**-)-B-(**)	1.15	0.7	127
18.0 – 26.5	20	220	42	FA 20 –SQB- (**-**-**-)-B-(**)	1.15	0.5	102
26.5 – 40.0	22	320	28	FA 22 –SQB- (**-**-**-)-B-(**)	1.20	0.5	102

* Better flatness value can be achieved for narrow band application.

**Attenuation Fixed according to customer requirements at any value within the overall attenuation range.

*** For 3 Digit Rectangular Flange part number, refer to the Flange catalogue, or consult the factory.

Attenuation calibration accuracy better than ± 0.35 db at the centre frequency

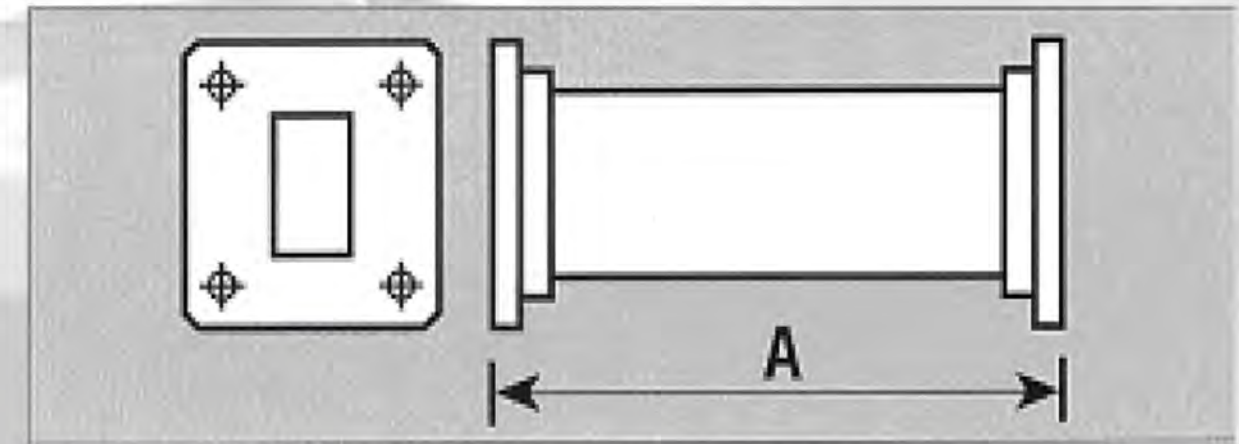
Ordering: when ordering, please state the attenuation value and frequency.

FIXED ATTENUATOR (Range 0-40 dB)

Double Ridge

Specification:

Material:	Aluminium Alloy
Finish:	Blue Paint, Iridited / Chromated Flanges
Full Band Flatness:	Contact factory for details



Operating Frequency Band (GHz)	Waveguide Designation	PART NUMBER	Max V.S.W.R.	Max Power Watts C.W.	Overall Length "A" (mm)
6.5 – 18.0	WRD650 D28	FA 650 –CQH- (**-**-**-)-A-(**)	1.15	0.7	152
7.5 – 18.0	WRD750 D24	FA 750 –CQH- (**-**-**-)-A-(**)	1.15	0.7	152
18.0 – 40.0	WRD180 C24	FA 180 –CQH- (**-**-**-)-A-(**)	1.25	0.5	51

**Attenuation Fixed according to customer requirements at any value within the overall attenuation range.
 *** For 3 Digit Rectangular Flange part number, refer to the Flange catalogue, or consult the factory.

Attenuation calibration accuracy better than ± 0.6 db at the centre frequency

+ Please contact factory for availability

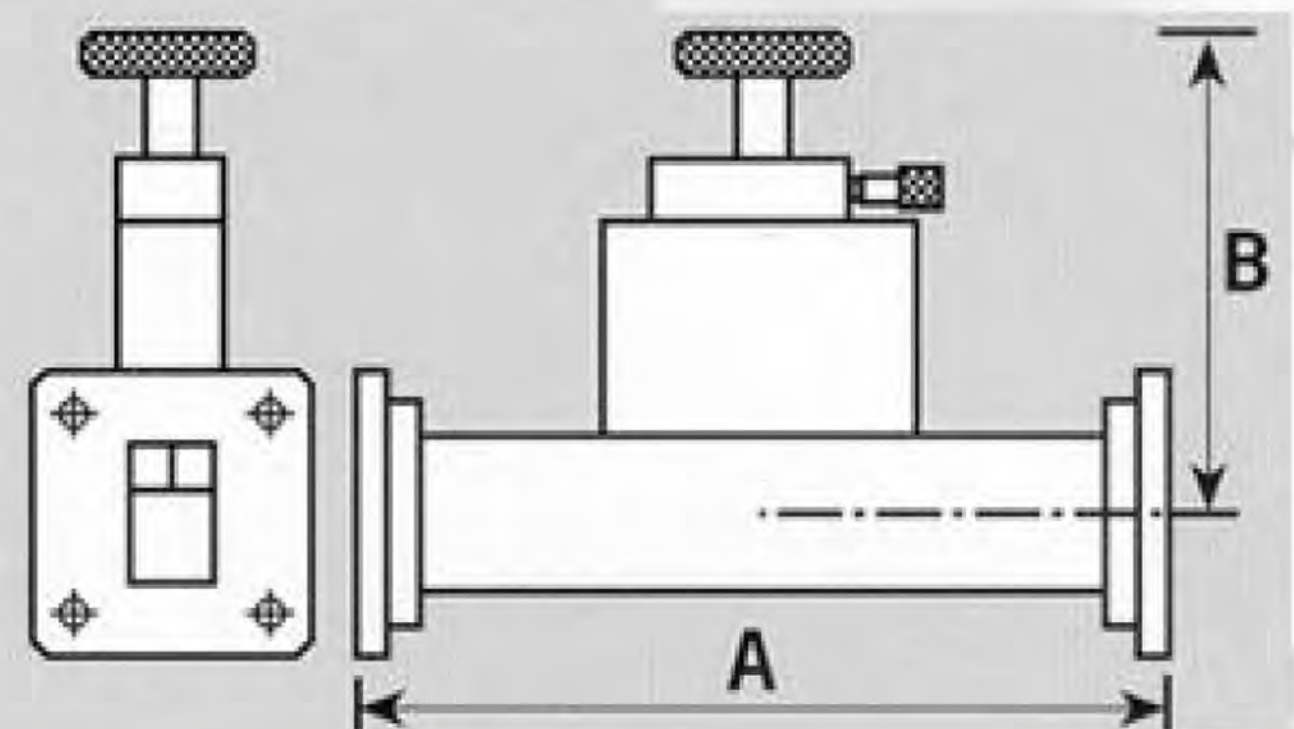
Ordering: When ordering please state the attenuation value and operating frequency range

VARIABLE ATTENUATOR (Range 0-40 dB)

Standard Rectangular

Specification:

Material:	Brass
Finish:	Blue Paint, Silver Plated Flanges
Attenuation Elements:	Resistive Card
Insertion Loss:	Less than 0.3 dB
Full Band Flatness:	Contact factory for details



Operating Frequency Band (GHz)	Waveguide Designation			PART NUMBER	Max V.S.W.R.	Max Power Watts C.W.	Overall Length "A" (mm)	Dim "B" (mm)
	UK WG	IEC R	E.I.A. WR					
++2.60 – 3.95	10	32	284	VA 10 –SQB- (**-**-**-)-B	1.10	4	330	178
3.30 – 4.90	11A	40	229	VA 11A –SQB- (**-**-**-)-B	1.10	4	406	171
3.95 – 5.85	12	48	187	VA 12 –SQB- (**-**-**-)-B	1.12	4	305	76
++4.90 – 7.05	13	58	159	VA 13 –SQB- (**-**-**-)-B	1.12	3	279	102
5.85 – 8.20	14	70	137	VA 14 –SQB- (**-**-**-)-B	1.12	2	241	105
7.05 – 10.0	15	84	112	VA 15 –SQB- (**-**-**-)-B	1.13	1	203	89
8.20 – 12.40	16	100	90	VA 16 –SQB- (**-**-**-)-B	1.13	1	152	89
10.0 – 15.0	17	120	75	VA 17 –SQB- (**-**-**-)-B	1.14	1	152	87
12.4 – 18.0	18	140	62	VA 18 –SQB- (**-**-**-)-B	1.14	0.7	127	76
15.0 – 22.0	19	180	51	VA 19 –SQB- (**-**-**-)-B	1.15	0.7	127	76
18.0 – 26.5	20	220	42	VA 20 –SQB- (**-**-**-)-B	1.15	0.5	102	70
26.5 – 40.0	22	320	28	VA 22 –SQB- (**-**-**-)-B	1.20	0.5	51	60

*** For 3 Digit Rectangular Flange part number, refer to the Flange catalogue, or consult the factory.

Attenuation calibration accuracy better than ± 0.35 db at the centre frequency

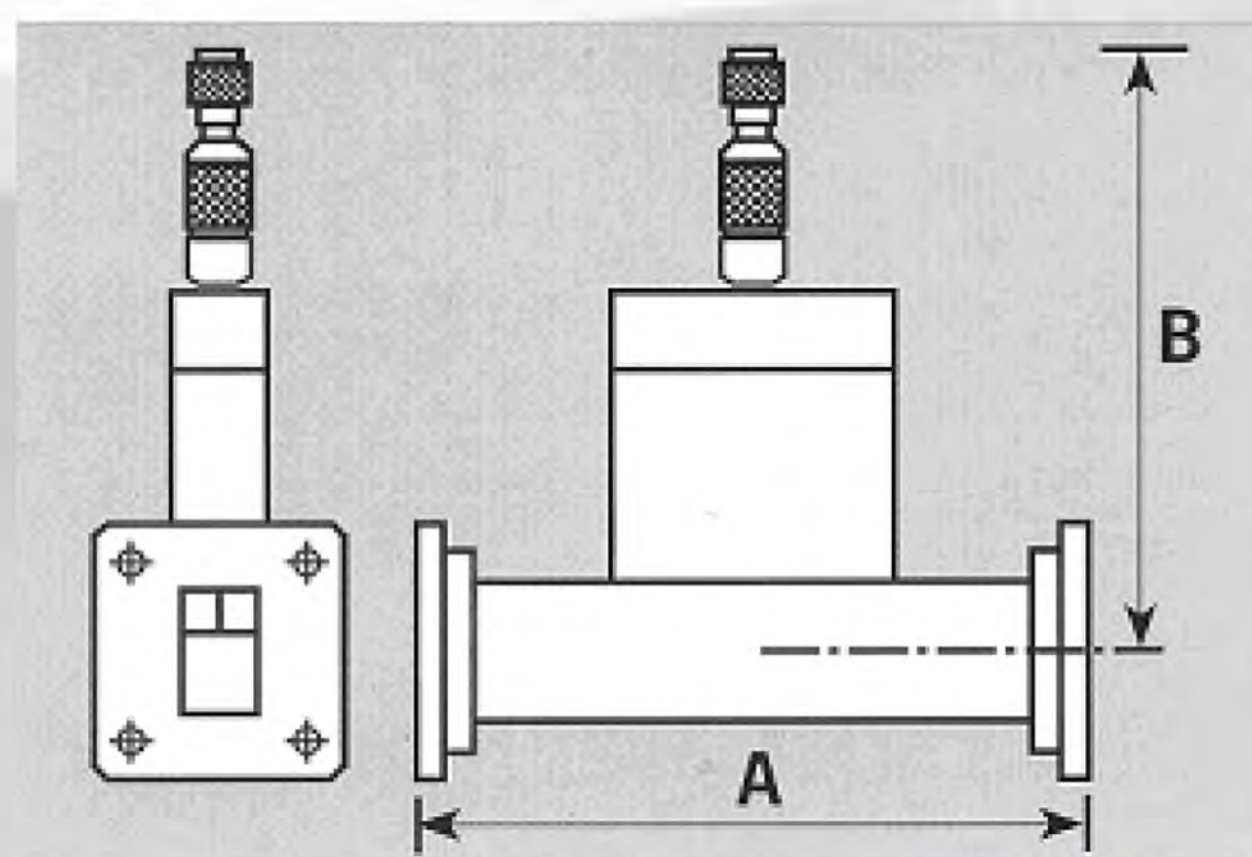
++ Please contact factory for availability

VARIABLE PRECISION ATTENUATOR (Range 0-40 dB)

Standard Rectangular

Specification:

Material:	Brass
Finish:	Blue Paint, Silver Plated Flanges
Attenuation Elements:	Resistive Card
V.S.W.R.:	Better than 1.25 dB
Insertion Loss:	Less than 0.2 dB
Resetting Accuracy:	±0.01 dB
Flatness:	Contact factory for details



Operating Frequency Band (GHz)	Waveguide Designation			PART NUMBER	Max Power Watts C.W.	Micro-meter Resolution dBs/div Average	Overall Length "A" (mm)	Dim "B" (mm)
	UK WG	IEC R	E.I.A. WR					
++2.60 – 3.95	10	32	284	VA 10 – PQB- (**-**-**-)-B	4	0.01	330	267
3.30 – 4.90	11A	40	229	VA 11A – PQB- (**-**-**-)-B	4	0.02	406	194
3.95 – 5.85	12	48	187	VA 12 – PQB- (**-**-**-)-B	4	0.02	305	219
++4.90 – 7.05	13	58	159	VA 13 – PQB- (**-**-**-)-B	3	0.02	279	200
5.85 – 8.20	14	70	137	VA 14 – PQB- (**-**-**-)-B	2	0.03	241	165
7.05 – 10.0	15	84	112	VA 15 – PQB- (**-**-**-)-B	1	0.04	203	165
8.20 – 12.40	16	100	90	VA 16 – PQB- (**-**-**-)-B	1	0.05	152	127
10.0 – 15.0	17	120	75	VA 17 – PQB- (**-**-**-)-B	1	0.05	152	127
12.4 – 18.0	18	140	62	VA 18 – PQB- (**-**-**-)-B	0.7	0.07	127	120
18.0 – 26.5	20	220	42	VA 20 – PQB- (**-**-**-)-B	0.5	0.10	102	113
26.5 – 40.0	22	320	28	VA 22 – PQB- (**-**-**-)-B	0.2	0.07	51	90

*** For 3 Digit Rectangular Flange part number, refer to the Flange catalogue, or consult the factory.

CALIBRATION

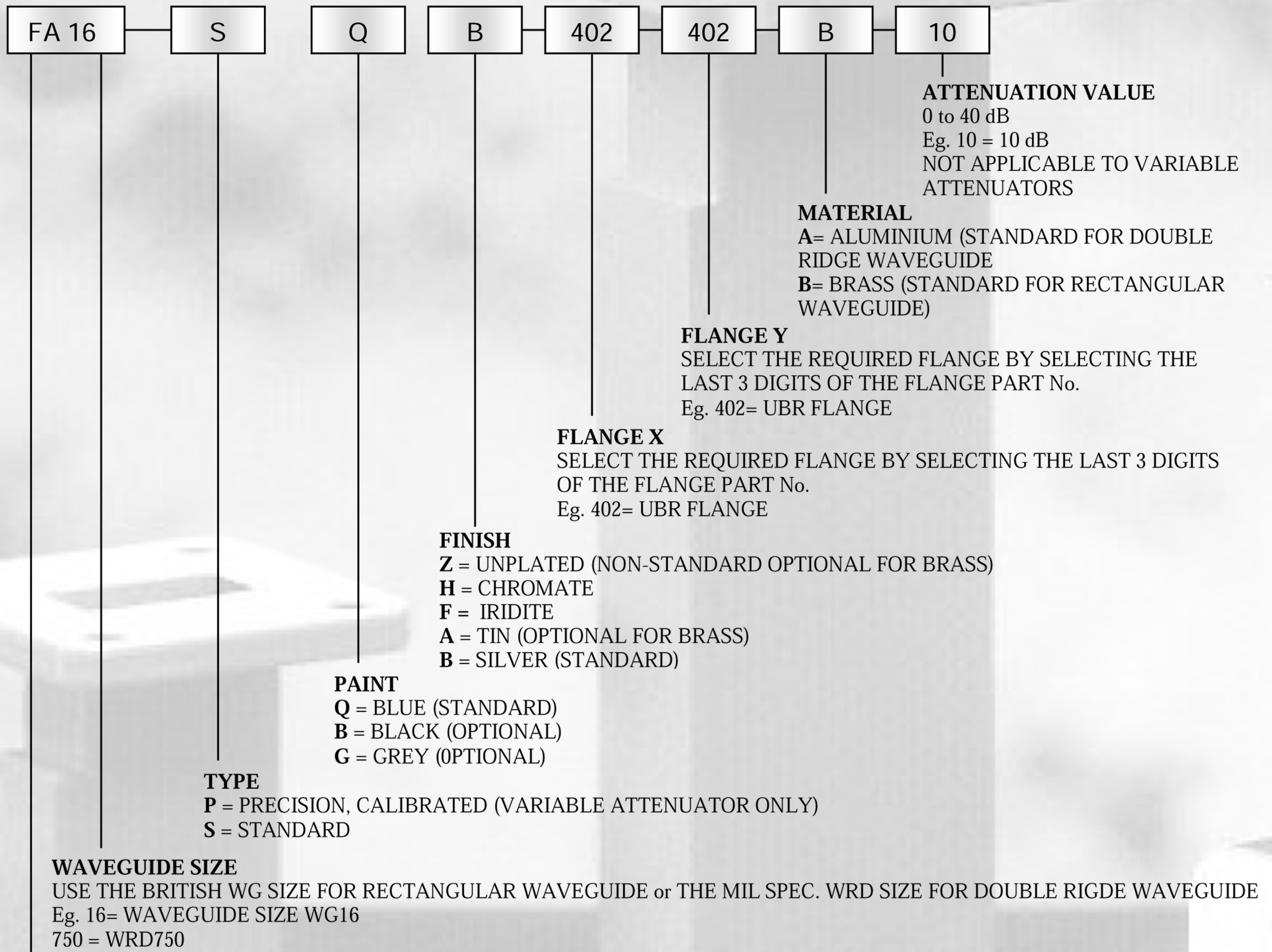
3 Frequencies in Band
1 dB Steps to 10 dB
2 dB Steps to 20 dB
5 dB Steps to 40 dB

CALIBRATION ACCURACY

0 – 10 dB ± 0.07 dB
10 – 20 dB ± 0.1 dB
20 – 30 dB ± 0.2 dB
30 – 40 dB ± 0.25 dB

++ Please contact factory for availability

Ordering Information



PRODUCT CODE
FA = FIXED ATTENUATOR
VA = VARIABLE

Notes:

1) The flange should match the material of the device to remain standard

