

### GPO18 - Typical offset 1,8m dish and back elevation system

GENERAL DATA	
Dish diameter	6 ft / 1,8m Offset type
RX sat Band	KU
Operating frequency	10,95 – 12,75 GHz
Gain @11,95GHz	45,5dBi
Beam width 3dB	1,0°
Antenna Noise Temperature (@30°Elevation)	23K
VSWR	1.3:1
Feed interface	WR75 – UBR120 flange
Mast pipe interface	114mm
Elevation fine adjustment	10°-70° continuous
Antenna optics	One Piece Offset feed
Azimuth adjustment range	360° Continuous
Mount type	Elevation over the azimuth
Operational wind load	80km/h
Survival wind load	200km/h
Temperature range	-50° / +80°C
Solar radiation	360 BTU – 380 kJ – 90 kCal/h/ft2
Dimensions packaging dish	2100x2100x250 – 49kg
Dimensions packaging mechanical supports	660x660x300 – 23 kg

# 6 ft / 1,8m

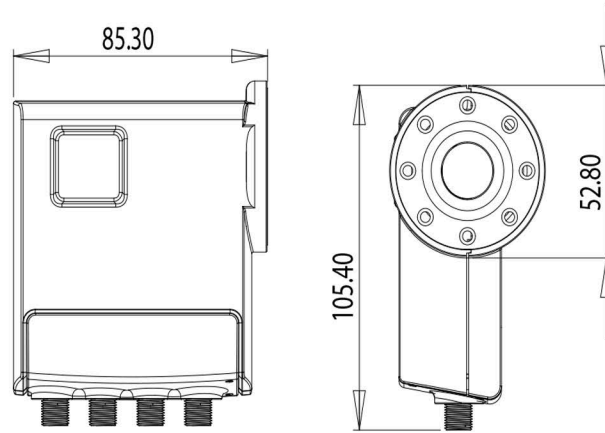
## CODE: GPO18

# OFFSET SAT PARABOLIC DISH



# Geritel

Geritel s.r.l. - via Postumia s.n. - 15057 - Tortona (AL) - ITALY  
TEL: +39 0131 813533 FAX: +39 0131 890016 - info@geritel.com - www.geritel.com



### LNB DATA

Low band I/P frequency range	10,7 – 11,7 GHz
O/P frequency range	950 – 1950 MHz
LO Frequency	9,75 GHz
High band I/P frequency range	11,7 – 12,75GHz
O/P frequency range	1100 – 2150 MHz
LO Frequency	10,6 GHz
Noise figure	0,3 dB Typ. (0,7 dB max)
LO Initial accuracy	+/- 1,0 MHz
LO Temperature drift	+/- 3,0 MHz
LO Phase noise @10KHz	-80 dBc/Hz
Conversion gain	55 dB min
Gain variation	+ / - 0,75 dB/27 MHz
Image rejection	40 [min] dB
O/P 1 dB compress point	0,0 [min] dBm
Crosstalk isolation	20 [min] dB
Control signal Ca ( V )	10-14 V
Control signal Cb ( H )	16-20V
Control signal Cc	22 +/- 4kHz
O/P Spurious	-60 [max] dBc
O/P VSWR	2.5:1
Radiated interference	-50 dBm Max
DC Power	200 mA@11-20V
Temperature range	-30 / +60°C
Output impedance	75 Ohm ( F-type)
Weight	243g

# Geritel